

M16C/26

Using the A-D Converter In Repeat Sweep Mode 1

1.0 Abstract

The following document outlines the steps necessary to setup and perform analog to digital conversions of the M16C/26 using repeat sweep mode 1. The ADC is useful in measuring output voltages of sensors such as accelerometers or other analog instrumentation and converting them to digital values.

2.0 Introduction

The Renesas M30262 is a 16-bit MCU based on the M16C/60 series CPU core. The MCU features include up to 64K bytes of Flash ROM, 2K bytes of RAM, and 4K bytes of Virtual EEPROM. The peripheral set includes UARTS, Timers, DMA, and GPIO. The M16C/26 features an on-chip analog to digital converter (ADC). The ADC consists of one 10-bit successive approximation circuit with an ac-coupled amplifier. There are eight analog input pins, selectable conversion clock speeds, sample and hold function, and several conversion modes. Table 1 shows the performance of the ADC and Figure 1 shows a diagram of the ADC block.

Table 1 ADC Performance

Item	Performance
Method of A-D Conversion	Successive approximation (capacitive coupling amplifier)
Analog input voltage	0V to AVcc (Vcc)
Operating clock f_{AD}	f_{AD} , f_{AD2} , f_{AD3} , f_{AD4} , f_{AD6} , or f_{AD12} where $f_{AD}=f(Xin)$
Resolution	8-bit or 10-bit (selectable)
Operating modes	One-shot mode, repeat, single sweep mode, repeat mode, repeat sweep mode 0 and repeat sweep mode 1.
Analog input pins	8 pins AN ₀ to AN ₇
A-D conversion start condition	Software trigger: A-D conversion starts when the A-D conversion start flag changes to "1" External trigger (can be retriggered): A-D conversion starts when the A-D conversion start flag is "1" and the AD _{TRG} /P15 input (shared with INT3) changes from "H" to "L"
Conversion speed per pin	Without sample and hold function 8-bit resolution: 49 f_{AD} cycles, 10-bit resolution: 59 f_{AD} cycles. With sample and hold function 8-bit resolution: 28 f_{AD} cycles, 10-bit resolution: 33 f_{AD} cycles.

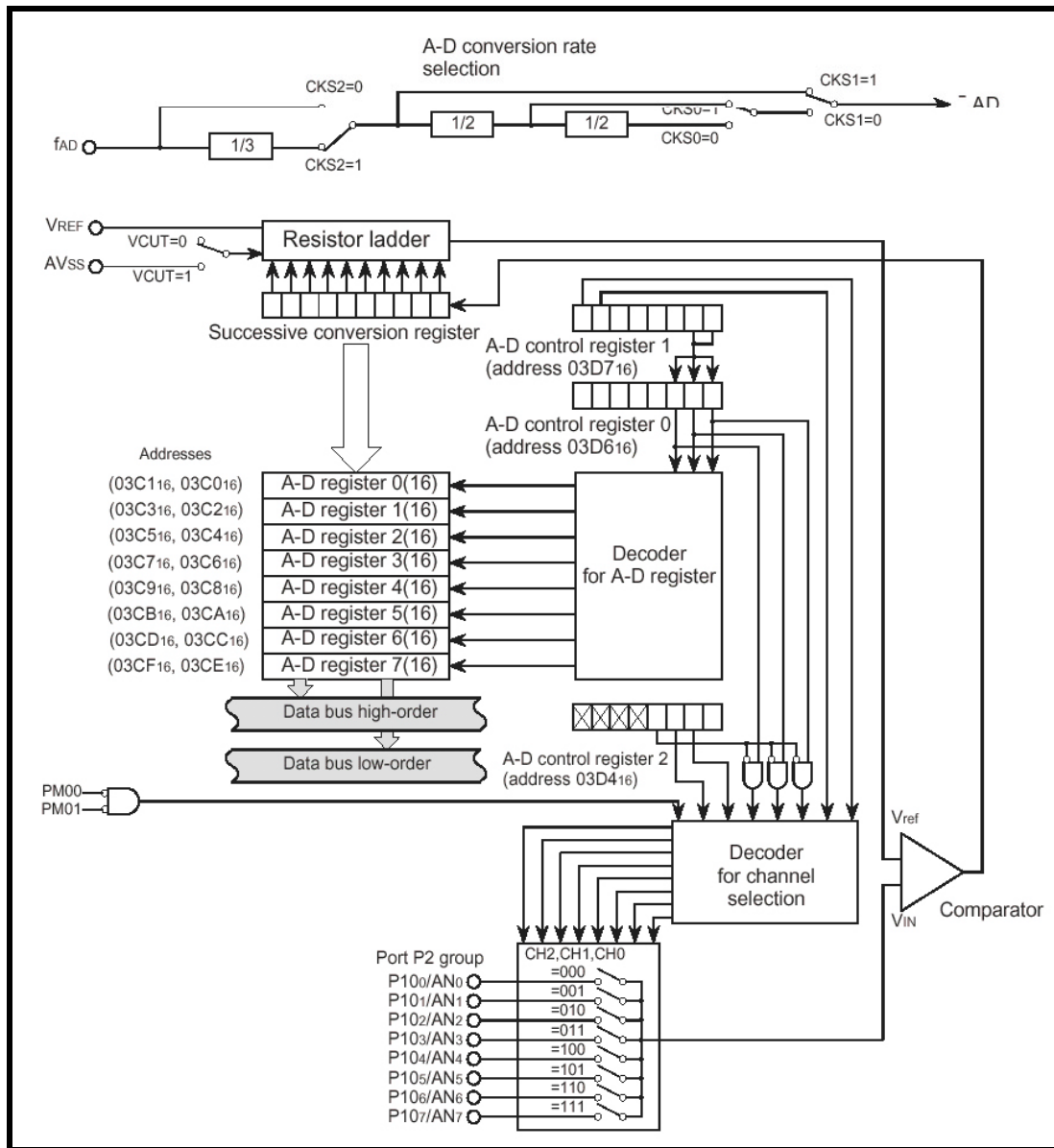


Figure 1 ADC Block Diagram

3.0 Repeat Sweep Mode 1 Description

In repeat sweep mode 1, groups of pins of the ADC can be selected as input sources. Once triggered, a conversion takes place on the selected pins and the results are stored in the ADC result registers corresponding to the selected channels. This is repeated until the ADC conversion start flag is disabled. No interrupt is generated on the completed conversions, but rather the ADC output registers are read to determine the converted values. These registers are detailed in the included sample code. For specific details, refer to the M16C/26 datasheet. Figure 2 and Figure 3 show the control registers for the ADC in Repeat Sweep Mode 1.

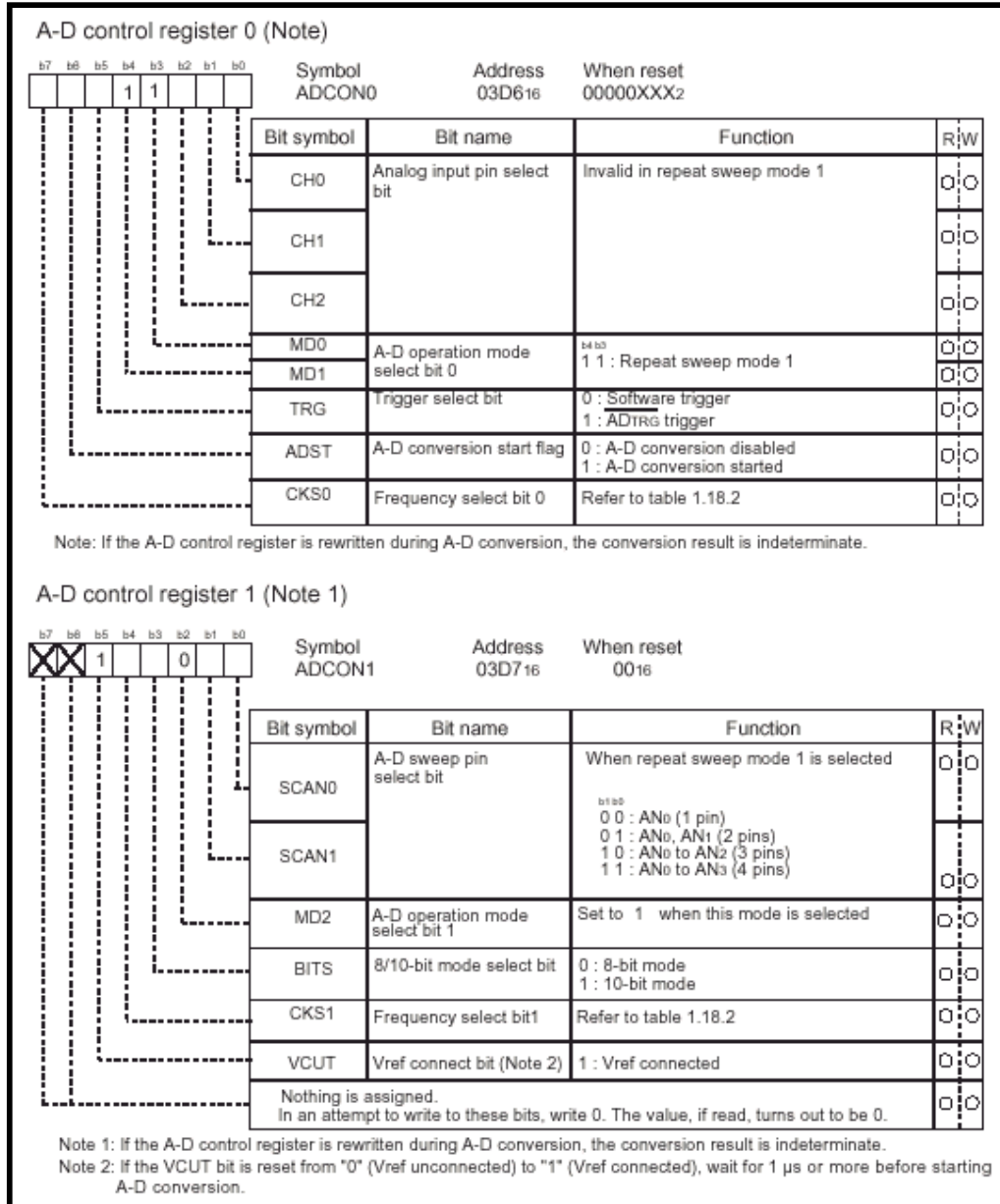


Figure 2 ADC Control Registers In Repeat Sweep Mode 1

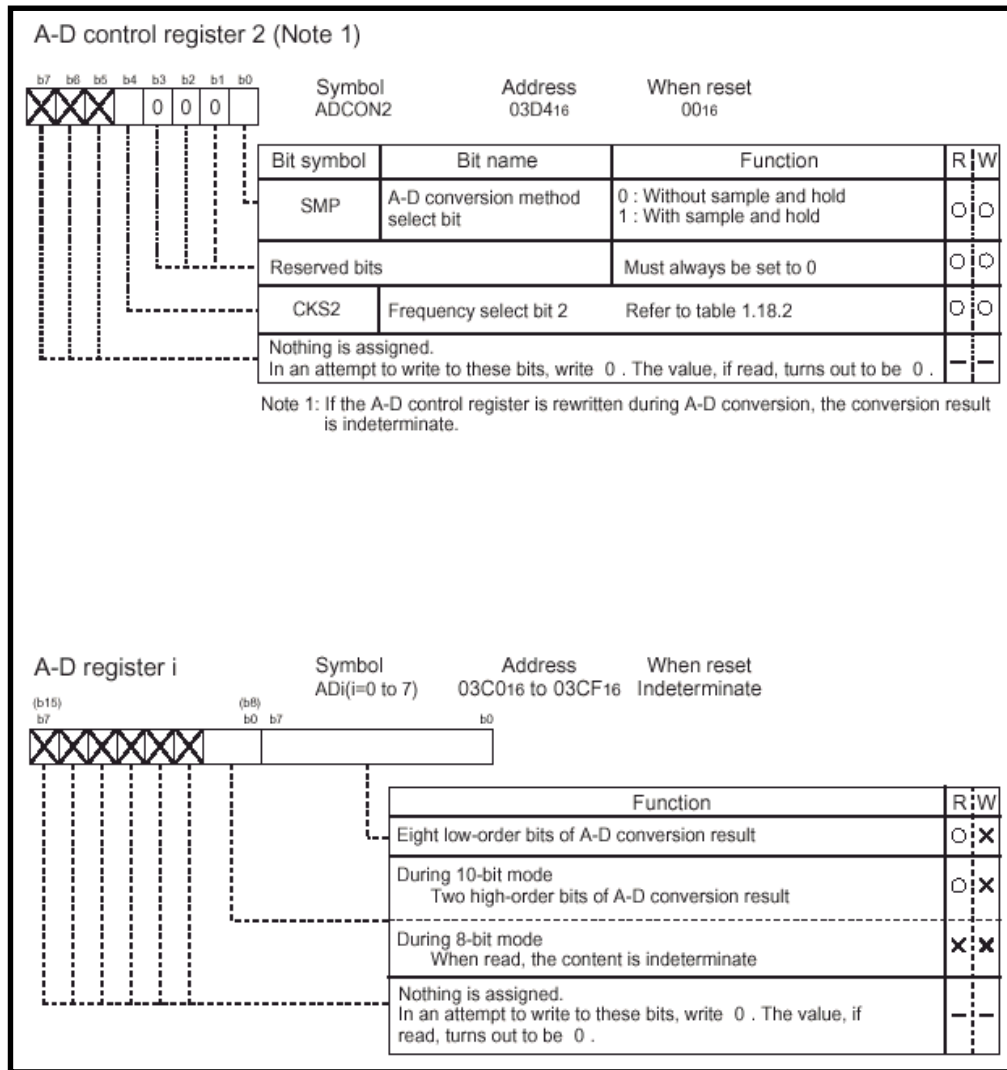


Figure 3 ADC Control Registers

4.0 Example Program

The following example program demonstrates how to perform a conversion using the ADC with the following configuration.

- Repeat sweep mode 1 conversions
- 10 bit mode
- Analog inputs 0-3 used
- Sample and hold enabled
- Vref connected
- Conversion clock used will be $f_{AD} / 4$ (When $f(Xin)$ is greater than 10 MHz, f_{AD} must be divided)
- Software conversion start

5.0 Reference

Renesas Technology Corporation Semiconductor Home Page

<http://www.renesas.com>

E-mail Support

support_apl@renesas.com

Data Sheets

- M16C/26 datasheets, M30262eds.pdf

User's Manual

- M16C/20/60 C Language Programming Manual, 6020c.pdf
- M16C/20/60 Software Manual, 6020software.pdf
- MSV30262-SKP or MSV-Mini26-SKP Quick start guide
- MSV30262-SKP or MSV-Mini26-SKP Users Manual
- MDECE30262 or MSV-Mini26-SKP Schematic

6.0 Software Code

The sample software provided was compiled using the KNC30 compiler. The program sets up the ADC to continuously perform conversions on channels 0 to 3. The code then repeatedly reads the results of those conversions. This code was written to run on the MSV30262 Starter Kit but can be modified for a user application.

```
/*
 * DESCRIPTION: single_sweep.c
 *
 * PURPOSE: Outlines how to use the M16C/26 ADC in repeat sweep
 * mode 1. On reset, reset, program repeatedly stores
 * the results of the conversions in variables that can
 * be examined using KD30 along with the MSV30262-SKP
 * or similar tool.
 *
 *
 *
 */
*****/

#include "sfr26.h"

int TempStore0 = 0x0000; // Location where ADC0 result is stored
int TempStore1 = 0x0000; // Location where ADC1 result is stored
```



```
TempStore0= ad0 & 0x03ff; // Mask off the upper 6 bits of the
                          // Variable leaving only the result
                          // in the variable itself

TempStore1= ad1 & 0x03ff; // Mask off the upper 6 bits of the
                          // Variable leaving only the result
                          // in the variable itself

    }
}
```

Keep safety first in your circuit designs!

- Renesas Technology Corporation puts the maximum effort into making semiconductor products better and more reliable, but there is always the possibility that trouble may occur with them. Trouble with semiconductors may lead to personal injury, fire or property damage. Remember to give due consideration to safety when making your circuit designs, with appropriate measures such as (i) placement of substitutive, auxiliary circuits, (ii) use of nonflammable material or (iii) prevention against any malfunction or mishap.

Notes regarding these materials

- These materials are intended as a reference to assist our customers in the selection of the Renesas Technology Corporation product best suited to the customer's application; they do not convey any license under any intellectual property rights, or any other rights, belonging to Renesas Technology Corporation or a third party.
- Renesas Technology Corporation assumes no responsibility for any damage, or infringement of any third-party's rights, originating in the use of any product data, diagrams, charts, programs, algorithms, or circuit application examples contained in these materials.
- All information contained in these materials, including product data, diagrams, charts, programs and algorithms represents information on products at the time of publication of these materials, and are subject to change by Renesas Technology Corporation without notice due to product improvements or other reasons. It is therefore recommended that customers contact Renesas Technology Corporation or an authorized Renesas Technology Corporation product distributor for the latest product information before purchasing a product listed herein.
The information described here may contain technical inaccuracies or typographical errors. Renesas Technology Corporation assumes no responsibility for any damage, liability, or other loss rising from these inaccuracies or errors.
Please also pay attention to information published by Renesas Technology Corporation by various means, including the Renesas Technology Corporation Semiconductor home page (<http://www.renesas.com>).
- When using any or all of the information contained in these materials, including product data, diagrams, charts, programs, and algorithms, please be sure to evaluate all information as a total system before making a final decision on the applicability of the information and products. Renesas Technology Corporation assumes no responsibility for any damage, liability or other loss resulting from the information contained herein.
- Renesas Technology Corporation semiconductors are not designed or manufactured for use in a device or system that is used under circumstances in which human life is potentially at stake. Please contact Renesas Technology Corporation or an authorized Renesas Technology Corporation product distributor when considering the use of a product contained herein for any specific purposes, such as apparatus or systems for transportation, vehicular, medical, aerospace, nuclear, or undersea repeater use.
- The prior written approval of Renesas Technology Corporation is necessary to reprint or reproduce in whole or in part these materials.
- If these products or technologies are subject to the Japanese export control restrictions, they must be exported under a license from the Japanese government and cannot be imported into a country other than the approved destination.
Any diversion or reexport contrary to the export control laws and regulations of Japan and/or the country of destination is prohibited.
- Please contact Renesas Technology Corporation for further details on these materials or the products contained therein.